



The success of the Regency Gemfire series can now be extended to outdoor living areas. All of the sophisticated, contemporary styling and quality workmanship is mirrored in this dramatic outdoor fireplace. This fireplace delivers beautiful wide angle flames amplified by a reflective stainless steel body with the choice of ceramic garden stones, reflective crystals or logs. Quality, style and durable outdoor function make this fireplace a perfect outdoor option.

Standard Features

- Natural gas or propane
- Stainless steel faceplate & firebox
- Stainless steel burner covered with copper crystals
- Tempered glass wind shield
- Stainless steel heat deflector
- Easy access on/off switch
- Electronic ignition
- Seasonal weather cover
- Approved for outdoor installation only
- No venting required

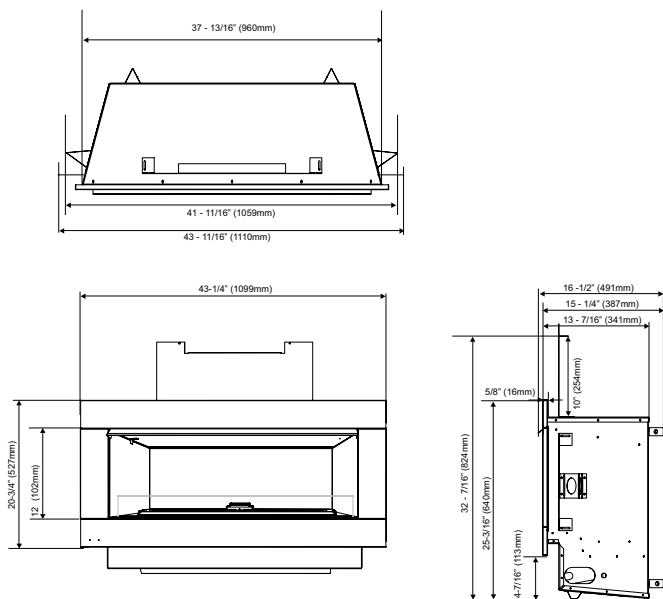
Optional Features

- Ceramic garden stones, crystals in various colors, ceramic log set



Specifications	NG	LP
Input (MJ)	47	47

Dimensions	
Faceplate Width	1099 mm
Faceplate Height	527 mm
View area	2879 sq.cm



Firebed options



Black reflective crystals

Copper crystals

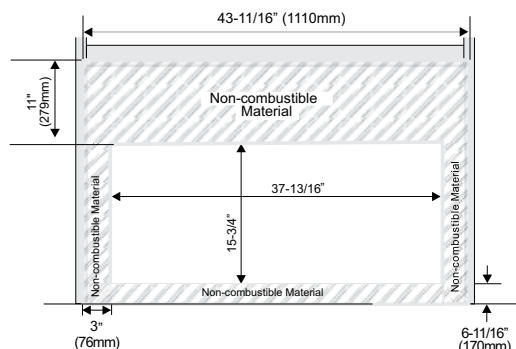
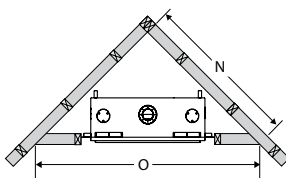
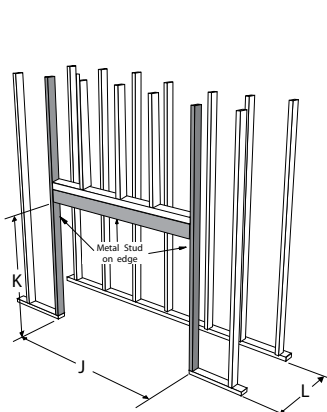
Starfire crystals



Ceramic garden stones

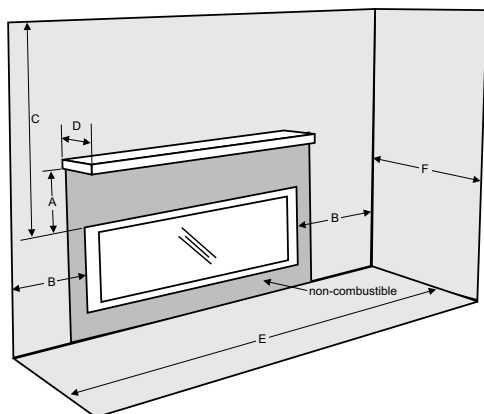
Ceramic log set

Framing



Framing	HZO42
J	1072 mm
K	730 mm
L	98 mm
M	870 mm
N	1027 mm
O	1376 mm

Clearances



Clearances	HZO42
A	457 mm
B	203 mm
C	914 mm
D	304 mm
E	1148 mm
F	914 mm

These are guidelines only, subject to change without notice. Always refer to the actual product manual that comes with your unit for specific, current dimensions and clearances.

your regency dealer

Fireplace Products Australia Pty Ltd.

21-23 South Link
Dandenong South Vic 3175
Australia
Phone 1 800 081 978
Fax 03 9799 7822
Email: salesau@regency-fire.com

Air Group Australia

28 Division St.
Welshpool WA 6106
Australia
Phone 08 9350 2200

Regent Distributors Limited

PO Box 32 432,
Devonport, North Shore City
New Zealand
Phone: Sales +64 21 934 955
Fax: +64 9 4457 285
Email: sales@regentdist.co.nz